
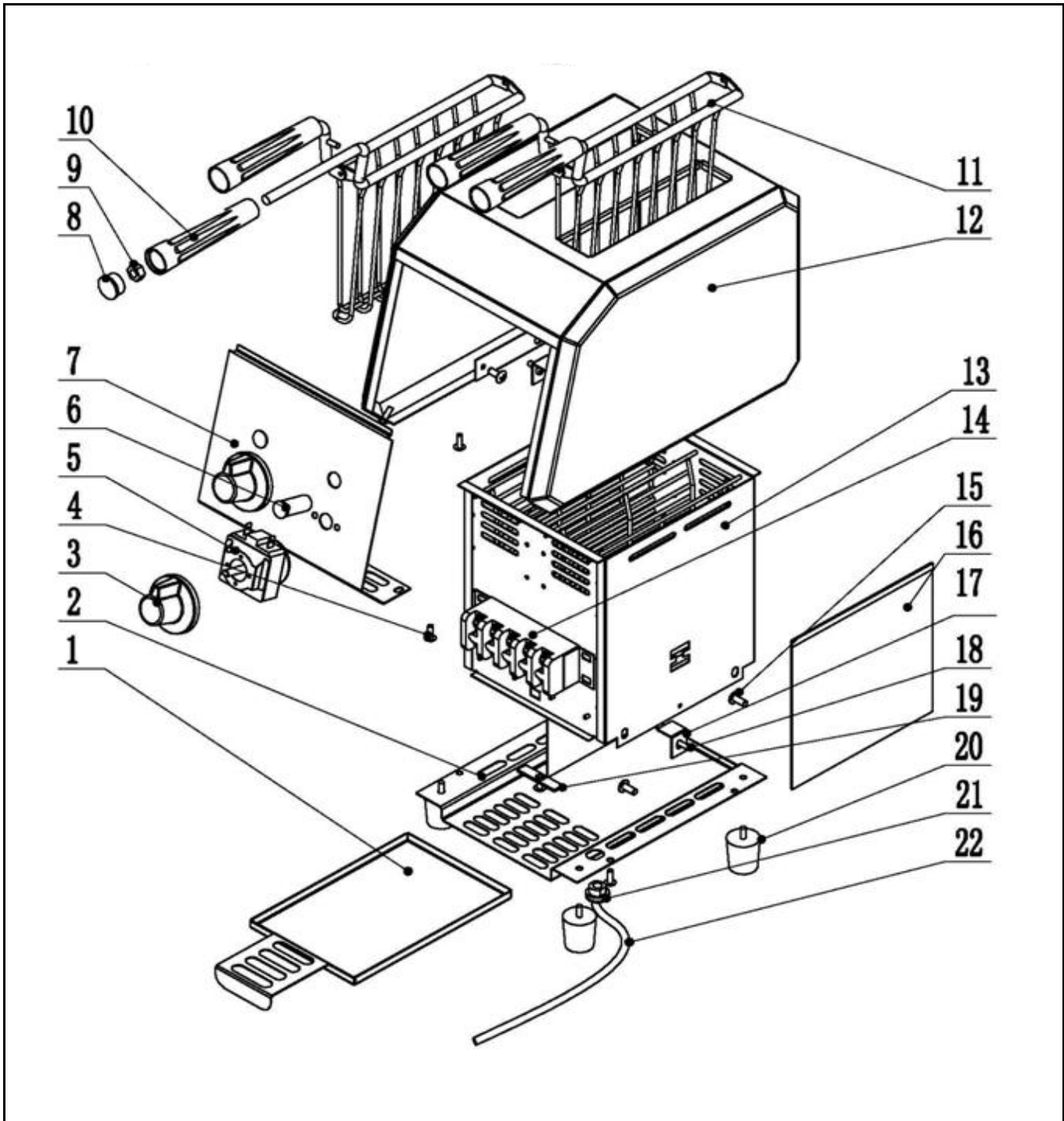



Drawing

 <p>Hendi B.V. Steenoven 21 3911 TX Rhenen The Netherlands</p>	Batch #	Appliance part#
	0000000	261163
	Description	
	Toaster	

Date	18-11-2010	Revision #	Revision version
Revision	First bill of materials (BOM)		



Bill of materials (BOM)

 Hendi B.V. Steenoven 21 3911 TX Rhenen The Netherlands	Batch #	Appliance part#
	0000000	261163
	Description	
	Toaster	


Date	18-11-2010	Revision #	Revision version
Revision	First bill of materials (BOM)		

Item	Description	Part#	Quantity	Remark	Picture
1	Crumb tray	921517	1		
2	Bottom plate	n/a	1		
3	Knob timer	921562	2		
4	Screw	n/a	4		
5	Timer	921555	2		
6	Indicator light	921548	2		
7	Front panel	n/a	1		
8	Cap Handle	nss	4	Available as 921500 or 921579	
9	Nut	nss	4	Available as 921500 or 921579	
10	Knob handle	921579	4	Available as 921500	
11	Plier	921500	2		
12	Housing	n/a	1		
13	Inner housing	n/a	1		
14	Terminal	n/a	1		
15	Screw	n/a	6		
16	Element	921531	4	Sold per 2 pcs.	
17	Plate	n/a	4		
18	Screw	n/a	8		
19	Holder element	n/a	4		
20	Foot	921524	4		
21	Cord inlet / retention	904378	1		
22	Power cord	930045	1		

n/a -> not available

nss -> not sold separately

Circuit diagram

 <p>Hendi B.V. Steenoven 21 3911 TX Rhenen The Netherlands</p>	Batch #	Appliance part#
	0000000	261163
	Description	
	Toaster	

Date	18-11-2010	Revision #	Revision version
Revision	First bill of materials (BOM)		

